

RZ Medizintechnik GmbH
Unter Haslten 20 | D-78532 Tuttlingen

Phone: +49 (0)7462/9470-0
Fax: +49 (0)7462/9470-50

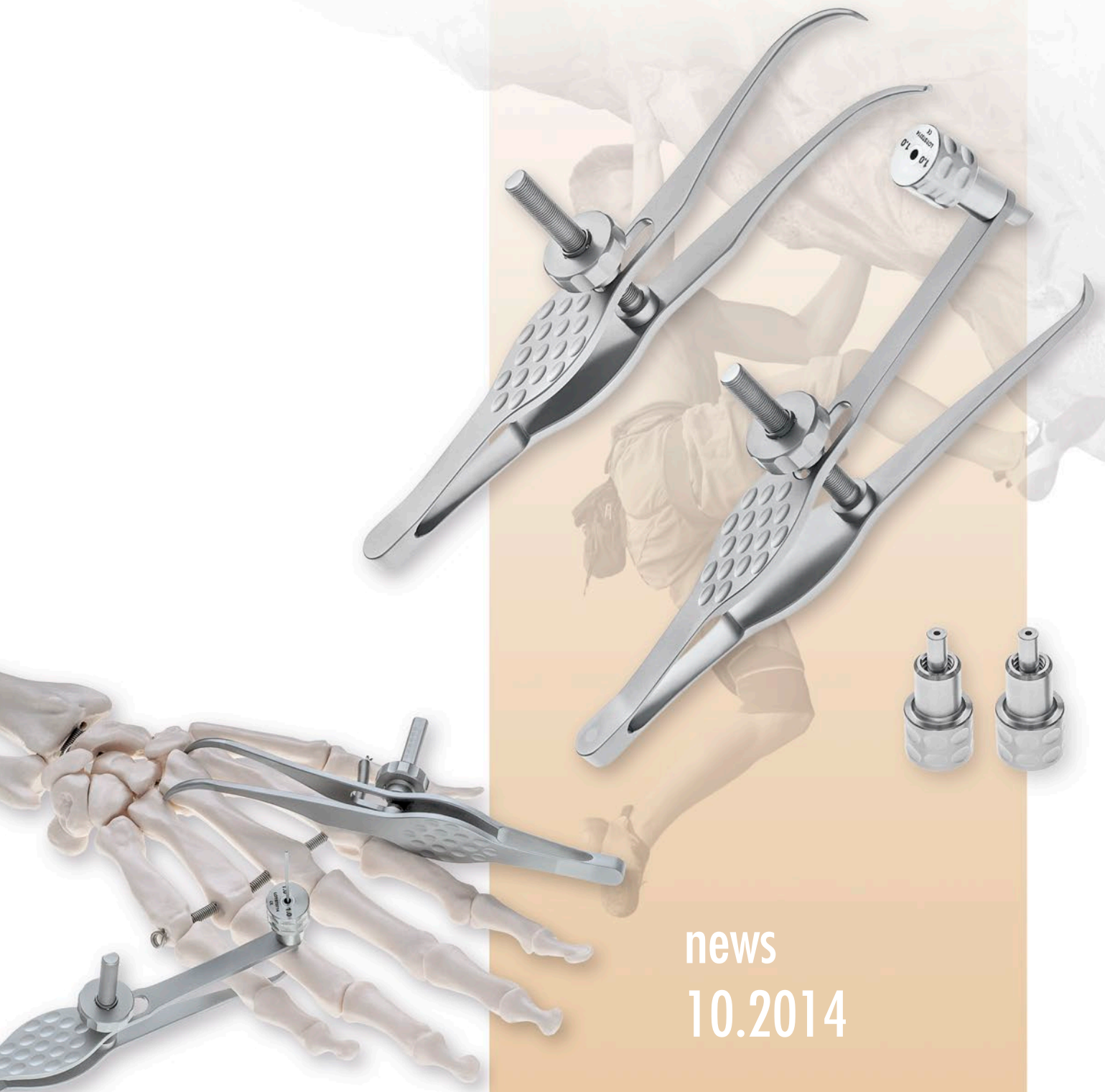
sales@rz-medizintechnik.com
www.rz-medizintechnik.com



RZ
Medizintechnik
GmbH

Progress in Surgery

Hand Surgery REPOSITION SET

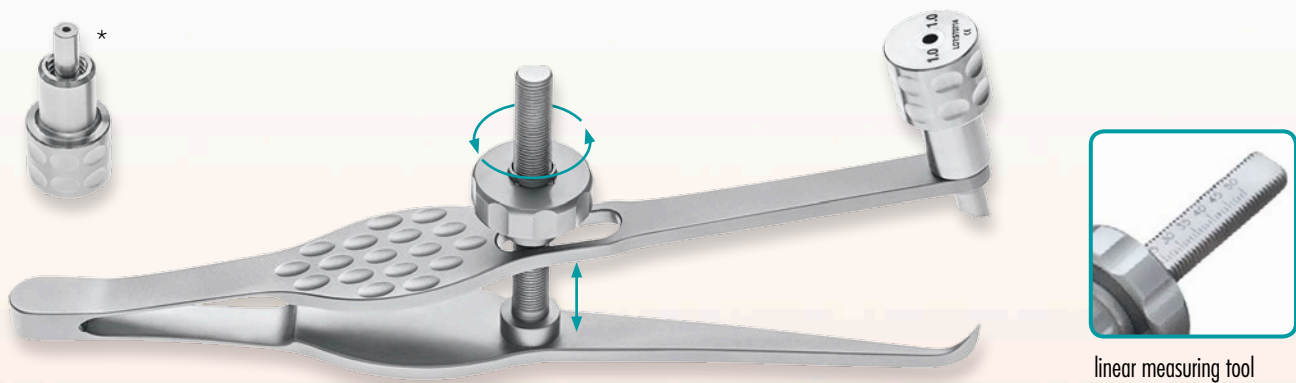


news
10.2014

HAND SURGERY REPOSITION SET

This Reposition Set is the state of the art solution for complicated fractures. The **integrated fine threaded linear measuring tool** and the **drill guide** ensure an **exact positioning** of the screws. The special shape of these forceps eases a **precise repositioning** of difficult-to-reach fractures.

REPOSITION FORCEPS WITH DRILL GUIDE



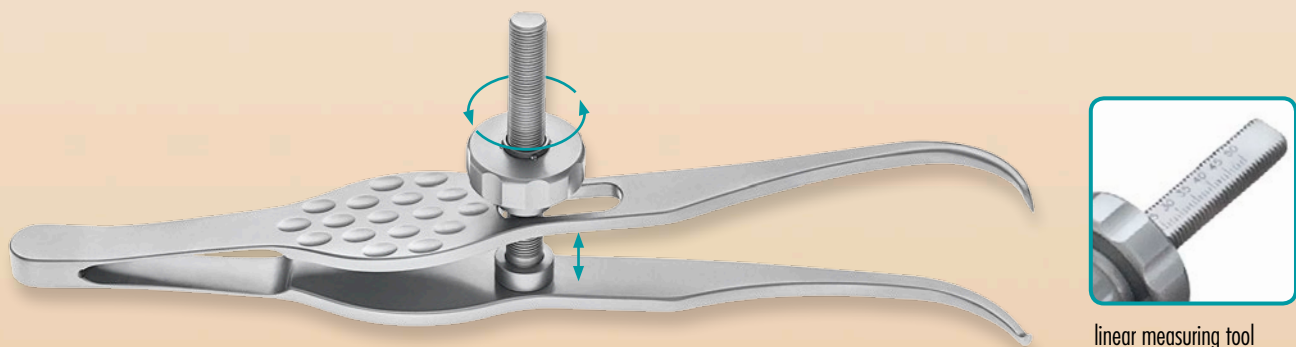
210-716-130 Reposition Forceps, 130 mm, linear measuring tool, 1 selectable drill guide included * (please choose the size below)

+

Please select 1 drill guide*	Ø0.8 mm	Ø0.9 mm	Ø1.0 mm	Ø1.1 mm	Ø1.2 mm	Ø1.3 mm
	210-716-008	210-716-009	210-716-010	210-716-011	210-716-012	210-716-013

Ordering sample: 210-716-130 + 210-716-010 = 1 Reposition Forceps + 1 drill guide Ø 1.0 mm = Complete instrument

REPOSITION FORCEPS

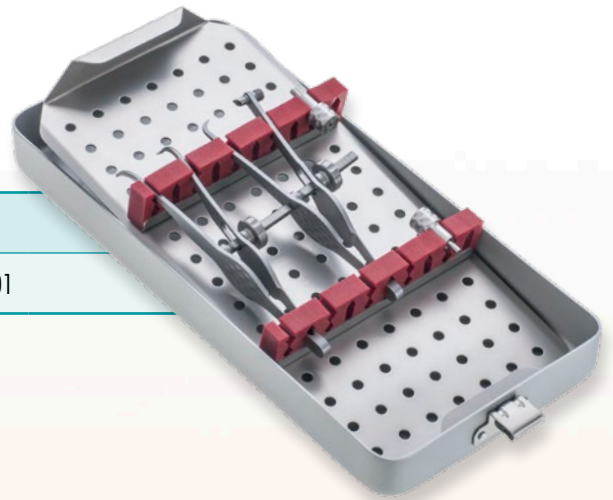


210-717-135 Reposition Forceps, 135 mm, linear measuring tool

REPOSITION FORCEPS SET

210-723-000

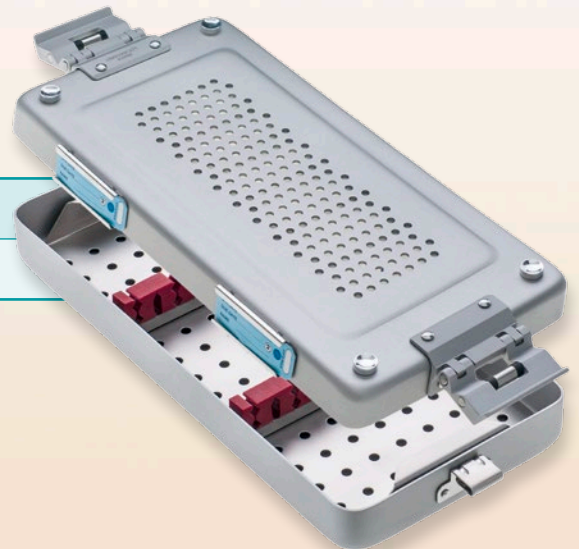
Consisting of: 210-716-130 with 2 drill guides, 210-717-135 and Mini-Container 210-723-001



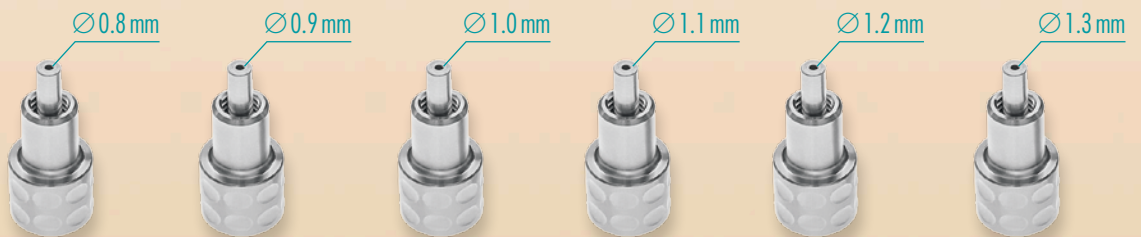
MINI-CONTAINER

210-723-001

Mini-Container, 300x135x40mm, incl. complete instrument rack with silicone bars



SPARE DRILL GUIDES



Spare drill guide for reposition forceps	Ø0.8 mm	Ø0.9 mm	Ø1.0 mm	Ø1.1 mm	Ø1.2 mm	Ø1.3 mm
	210-716-008	210-716-009	210-716-010	210-716-011	210-716-012	210-716-013

MANUAL FOR THE REPOSITION FORCEPS WITH DRILL GUIDE



1. Fracture (red line)



2. Reposition of the fracture



3. The included drill guide allows an exact positioning of drills and k-wires



4. Inserting the drill or k-wire



5. The integrated linear measuring tool is used to determine the correct screw length, without removing the reposition forceps



6. Placing the first screw



7. Result after placing the first screw



8. Positioning of the forceps for the second drill hole or k-wire



9a. Inserting the k-wire (when using cannulated screws)



9b. Inserting the drill (when using non-cannulated screws)



10. After the determination of the correct screw length with the linear measuring tool, the screw is placed



11. Final result after placing both screws