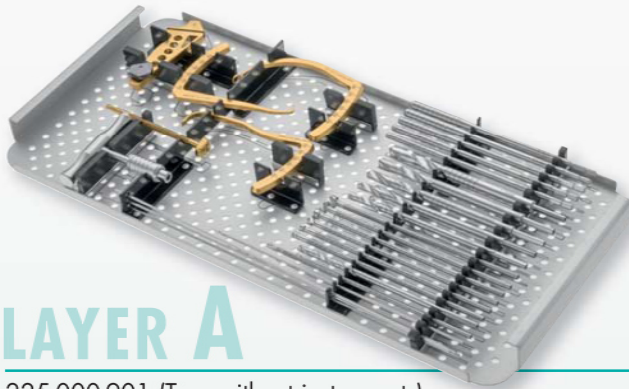




The new RZ ACL / PCL Instrumentation Set consists of a complete assortment of instruments for arthroscopic ACL and PCL reconstruction procedures. A highly precise and ergonomic drill guide system allows flexibility and control.

It's multi-layered and predestined instrument piles allows the surgery staff easy identifying, preparing and safe storing.

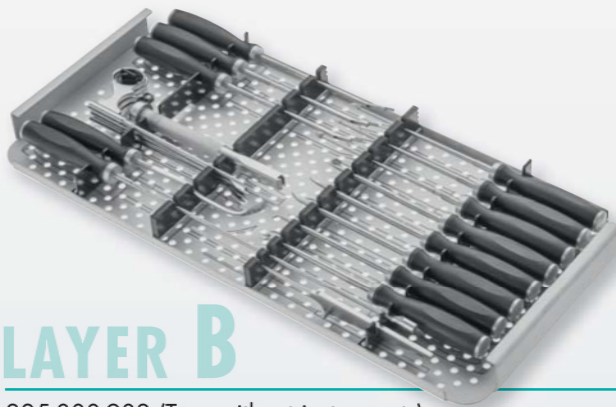
Complete Set 225-000-000



LAYER A

225-000-901 (Tray without instruments)

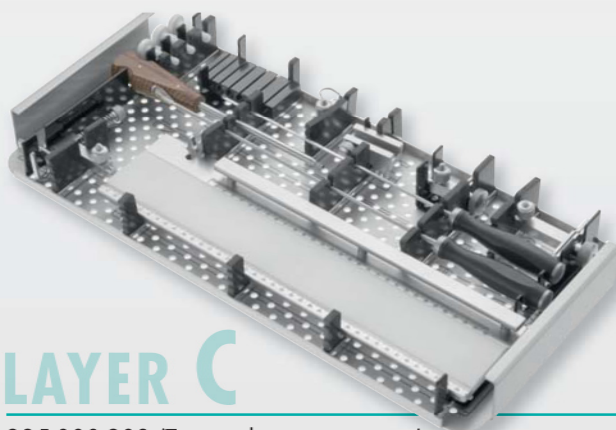
- Drill Guide System
- Tunnel Dilators
- Cannulated Tibial Reamers
- Cannulated Femoral Reamers
- Endoscopic Reamers
- Guide Wire Screws



LAYER B

225-000-902 (Tray without instruments)

- Microfracture Chondro Picks
- Impactor
- Transportal Femoral Offset Guide
- PCL Rasp and Elevators
- Tendon Strippers
- Arthroscopic Probes



LAYER C

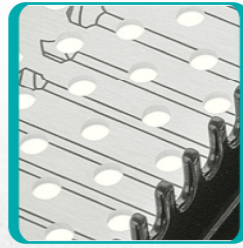
225-000-903 (Tray without instruments)

- Graft Preparation Station
- Graft Sizing Block
- Tunnel Plugs
- Tendon Strippers
- Cannulated Screwdriver
- Depth Gauges



ACL/PCL SET

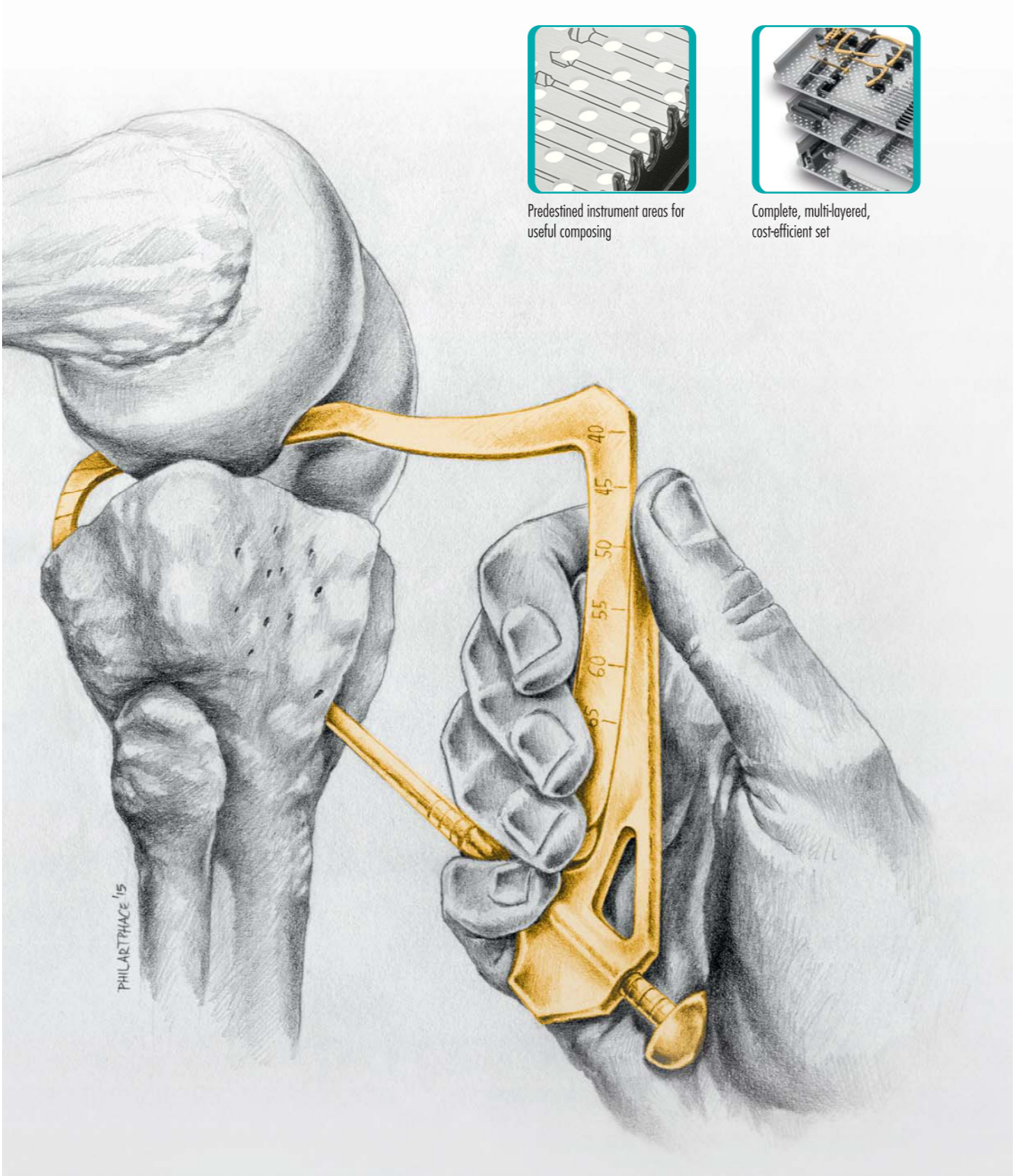
ACL / PCL Set

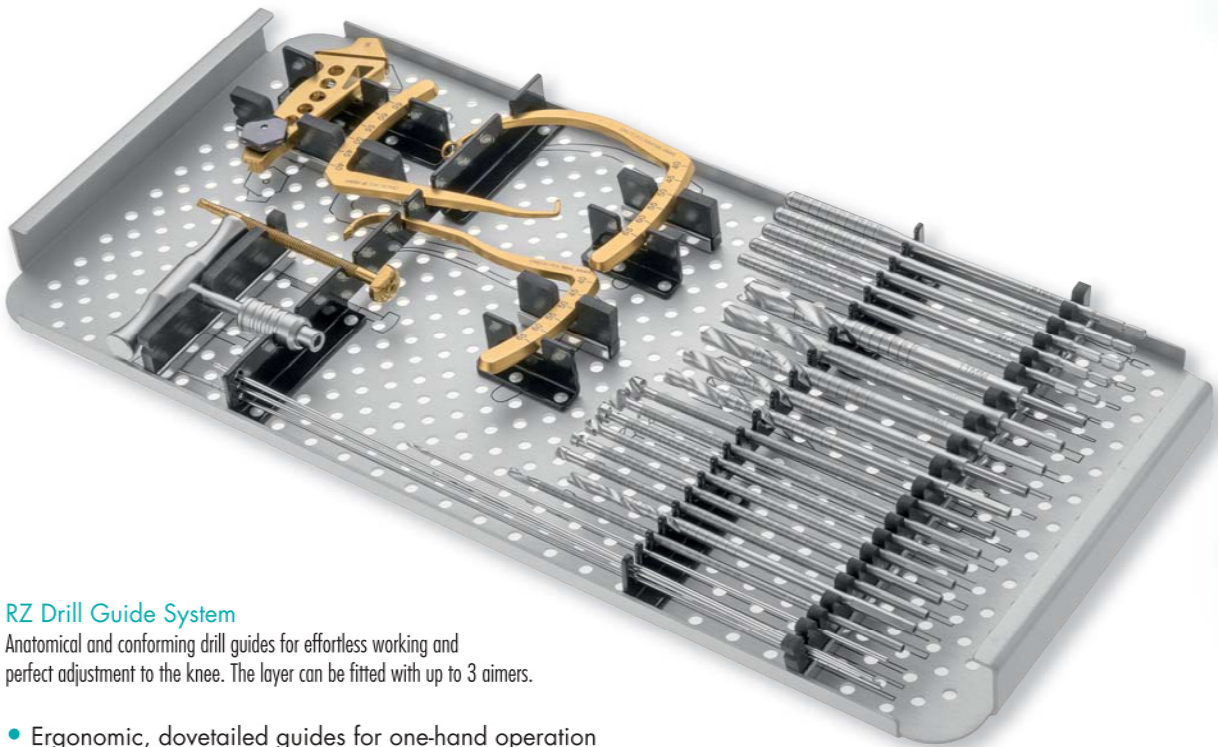


Predestined instrument areas for useful composing



Complete, multi-layered, cost-efficient set





RZ Drill Guide System

Anatomical and conforming drill guides for effortless working and perfect adjustment to the knee. The layer can be fitted with up to 3 aimers.

- Ergonomic, dovetailed guides for one-hand operation thanks to locking mechanism
- Lightweight and compact design
- Ergonomic, dove-tailed guides
- Secure placement on the tibia
- Posterior capsule is protected during guide wire drilling



Handle

Order-No.	Description
225-001-101	ACL / PCL Handle



Bullet

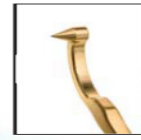
Order-No.	Description
225-001-102	ACL / PCL Bullet



1



2



3



4



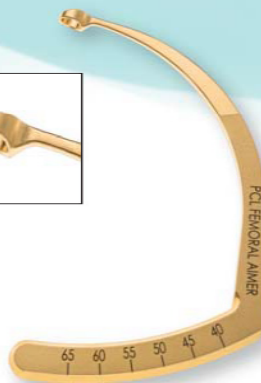
5



6



7



Aimer

Order-No.	Description
1	225-001-105 ACL Tip
2	225-001-106 ACL Tip 0
3	225-001-107 ACL Tip C left
4	225-001-108 ACL Tip C right
5	225-001-115 PCL Tibial Aimer
6	225-001-116 PCL Tibial Aimer
7	225-001-117 PCL Femoral Aimer



- Used to expand tibial and femoral tunnels while compressing the cancellous bone without drilling

Tunnel Dilators / T-Handle

Order-No.	Description
225-000-406	6mm, cannulated
225-000-407	7mm, cannulated
225-000-408	8mm, cannulated
225-000-409	9mm, cannulated
225-000-410	10mm, cannulated
225-000-400	T-Handle (suitable for 123-456-789 to -789)



Cannulated Tibial Reamers

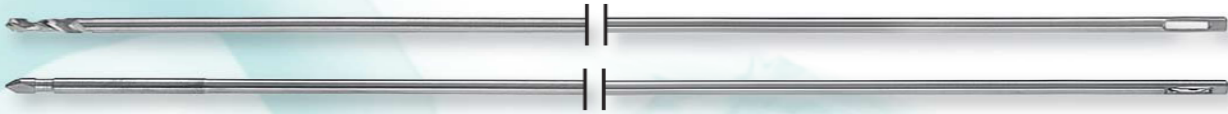
Order-No.	Description
225-000-060	6.0mm
225-000-065	6.5mm*
225-000-070	7.0mm
225-000-075	7.5mm*
225-000-080	8.0mm
225-000-085	8.5mm*
225-000-090	9.0mm

Order-No.	Description
225-000-095	9.5mm*
225-000-100	10.0mm
225-000-105	10.5mm*
225-000-110	11.0mm
225-000-115	11.5mm*
225-000-112	12.0mm*



Endoscopic Reamer

Order-No.	Description
225-000-008	∅ 4.7mm, cannulated, 200mm



Drill / Graft Passing Guide Pins

Order-No.	Description
225-000-005	Drill bit, \varnothing 2.4mm
225-000-006	Pin, Drill-tip
225-000-007	Pin, Diamond-tip



Cannulated Femoral Reamers

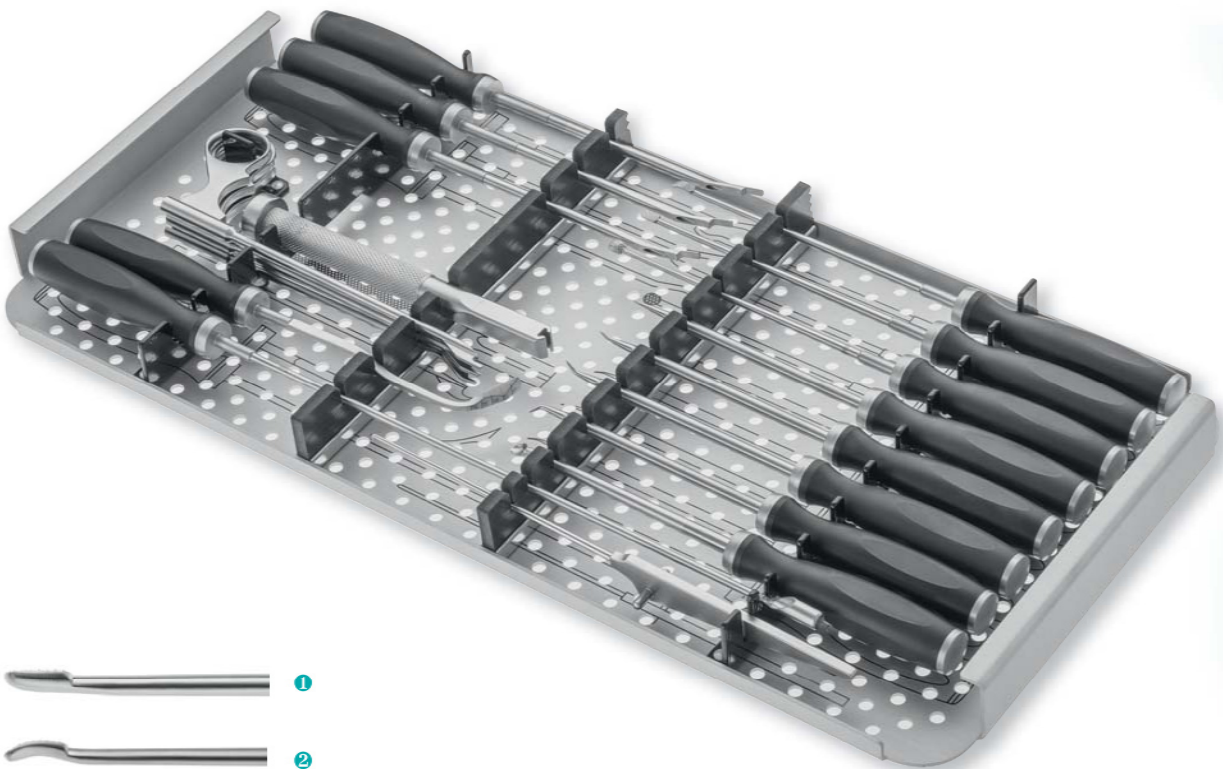
Order-No.	Description
225-000-260	6.0mm
225-000-265	6.5mm*
225-000-270	7.0mm
225-000-275	7.5mm*
225-000-280	8.0mm
225-000-285	8.5mm*
225-000-290	9.0mm

Order-No.	Description
225-000-295	9.5mm*
225-000-300	10.0mm
225-000-305	10.5mm*
225-000-310	11.0mm
225-000-315	11.5mm*
225-000-312	12.0mm*



Guide Wire for screws

Order-No.	Description
225-000-009	\varnothing 2.0mm



1



2



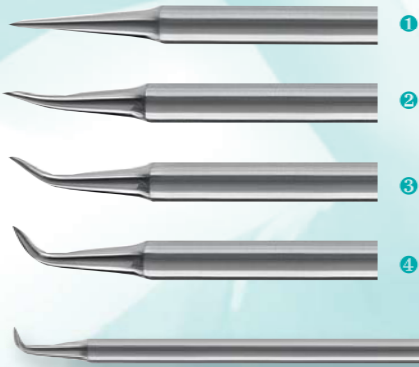
3



Rasps

	Order-No.	Description
1	225-000-500	Straight rasp
2	225-000-501	Convex rasp
3	225-000-502	Half-round rasp

* Item not included in the set and can be ordered separately.



Chondro Picks

Order-No.	Description
① 225-600-200	0° / straight
② 225-600-225	25°
③ 225-600-240	40°
④ 225-600-260	60°



Curette

Order-No.	Description
225-000-507	25° angled down



Transportal Femoral Offset Guide

Order-No.	Description
225-000-015	5.0mm
225-000-016	6.0mm
225-000-017	7.0mm



Tendon Stripper, closed

Order-No.	Description
225-000-606	6.0mm*
225-000-607	7.0mm
225-000-608	8.0mm*



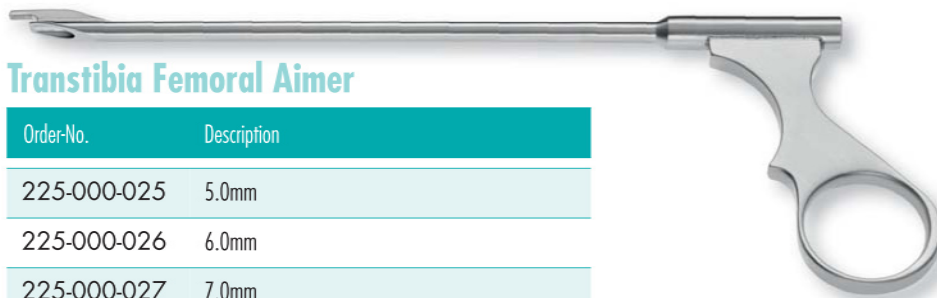
PCL Elevator

Order-No.	Description
225-000-503	with wire capture hole



Arthroscopic Probe

Order-No.	Description
225-400-002	5mm graduations



Transtibia Femoral Aimer

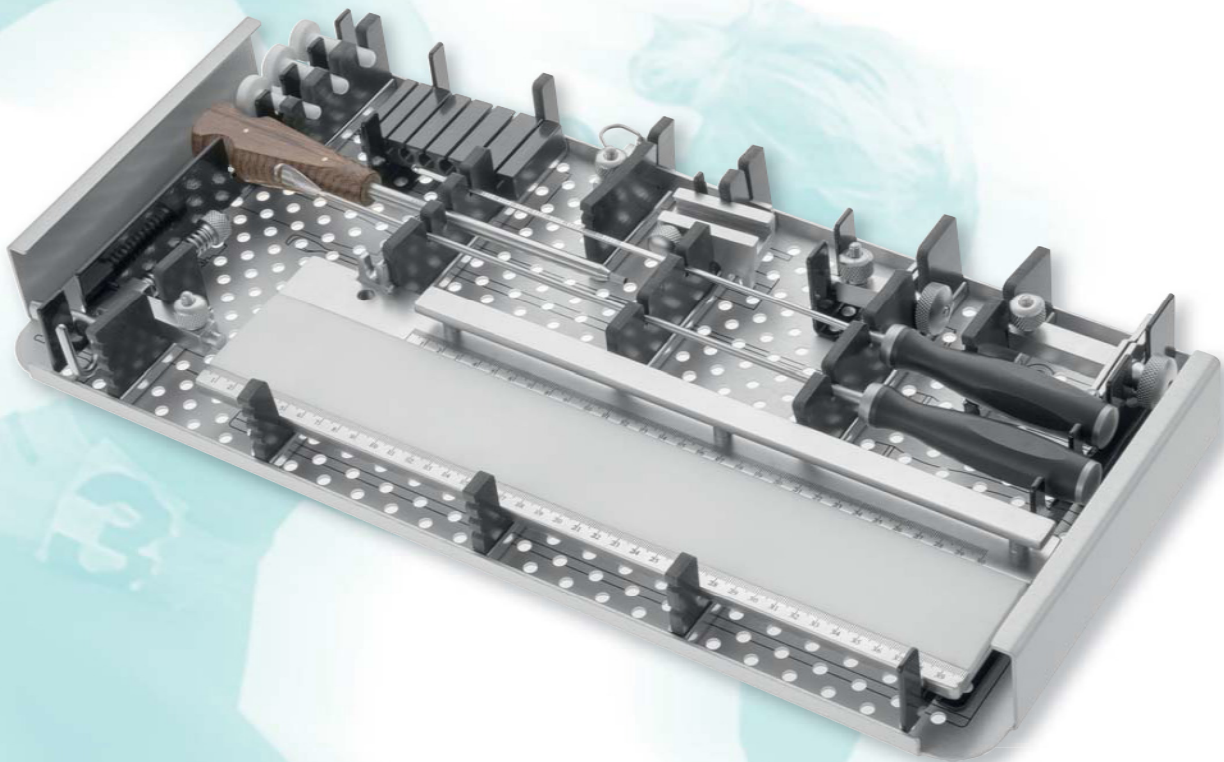
Order-No.	Description
225-000-025	5.0mm
225-000-026	6.0mm
225-000-027	7.0mm



Impactor

Order-No.	Description
225-000-012	Fot spiked ligament staple

* Item not included in the set and can be ordered seperately.



Graft Preparation Station

Order-No.	Description
225-000-700	Fully modular system for 6 to 12 increments



Tendon Stripper, open

Order-No.	Description
225-000-616	6.0mm*
225-000-617	7.0mm
225-000-618	8.0mm*



Depth Gauges

Order-No.	Description
225-000-010	For measuring the total length of femoral channel



Screwdriver

Order-No.	Description
225-000-011	Cannulated



Graft Sizing Block

Order-No.	Description
225-000-800	From 6mm to 12mm (in 1mm steps)
225-000-801	From 6.5mm to 11.5mm (in 1mm steps)*



Tunnel Plugs

Order-No.	Description
225-000-037	7-8mm
225-000-038	8-9mm
225-000-039	9-10mm

* Item not included in the set and can be ordered seperately.